

IS-100

Ophthalmic unit

High quality with functional design



High quality with functional design



The IS-100 Instrument Stand is a compact and affordable unit that enables the use of two instruments on a sliding table, with an optional trial lens drawer. A dedicated phoropter arm is also available with a mechanical lock or counterbalanced mechanism. The modern design fits seamlessly with any exam room decor, and its small footprint permits installation in areas with limited space. An intuitive control panel allows for control of the chair function, exam room lights, and instrument control. The IS-100 can be paired with a fixed or reclinable ophthalmic chair with an extended elevation stroke.

Colour Selectable Ambient Light

The IS-100 LED incorporates an innovative lighting system combining fluorescent lamps and LED lighting to provide you with your choice of ambient light colour. The soft LED lighting is gentle on the eyes and minimises contrast of the surrounding conditions. Colour and brightness can easily be adjusted with the included remote control.



Control panel

The IS-100 intuitive control panel is illuminated for enhanced visibility in dark environments and has several functions:

- Chair elevation control
- Switching on/off the unit including all installed instruments
- Switching on/off the room illumination light (dimnable from 0% - 100%)
- Switching on/off the ambient LED lighting system



Room illumination light

The IS-100 control panel - designed to enhance visibility in low-light settings. Its multiple functions include chair elevation control, unit and instrument on/off switches, and room illumination light control (dimnable from 0% to 100%). You can also easily turn on/off the ambient LED lighting system.



IS-100 Features & configurations

Energy saving mode

The IS-100 is designed to maximise efficiency and minimise energy consumption. After a specified number of hours of inactivity, the unit will automatically power down, including all connected instruments, saving electricity and helping to prolong the lifespan of your instruments.

IS-100 Configurations

The innovative IS-100 can be configured for either a right-hand or left-hand setup to suit your preference. The swivel tabletop can accommodate two instruments, and is designed to be fingerprint-proof, scratch-resistant and easy to clean.



IS-100 Ophthalmic Chairs

Topcon refraction chairs come in two ergonomic types: standard (OC-8) and fully reclining (OC-9) versions, with a 200 mm elevation stroke and foldable armrests. They can be controlled from the IS-100's main panel or an optional foot switch.

OC-8 chair

The OC-8 ophthalmic chair has a fixed back and is available in blue or dark grey. The OC-8 can be completed with an optional footrest.

OC-9 chair

The OC-9 ophthalmic chair has a 180° fully reclinable back to facilitate in-office procedures and provide added flexibility. The OC-9 is available in blue or dark grey and features an incorporated footrest.



IS-100 Optional accessories

Chair Accessories

Footrest for OC-8

An optional footrest is available for the OC-8. This footrest helps patients to sit in a correct ergonomic position and reduces strain on their legs, back and neck.



Foot switch

This optional foot switch can be connected to the IS-100 unit to control the up/down movement of the chair. It provides smooth and easy control of the chair.



IS-100 Optional phoropter arms

VT-670 mechanical lock phoropter arm

The VT-670 phoropter arm enables mounting of the majority of phoropter heads currently available on the market. The mechanical lock ensures fixed positioning of the phoropter in front of the patient. The phoropter arm is metallic silver in colour.



VT-671 counterbalanced phoropter arm

The VT-671 phoropter arm is available with a handle for easy manoeuvring of the phoropter head. The spring-loaded counterbalanced mechanism ensures stable positioning of the phoropter. The phoropter arm is metallic silver in colour.



Projector (ACP) support

A chart projector support is available for the IS-100. The support attaches to the IS-100 column facilitating vision testing.



IS-100 Optional accessories



Trial lens drawers

The IS-100 offers two sizes of trial lens drawer: the standard size TLD-100 and the enlarged TLD-100XL. Both offer a smooth closing system and can be conveniently mounted within the IS-100 stand to accommodate any size of trial lens set.



Reading light

An optional LED reading light can be connected to the column of the IS-100. The RL-100 reading light has a flexible arm enabling the light to be directed to the correct position with ease. The colour of the light is warm white for added comfort during near vision exams.



Bracket for power supply

This optional bracket fits seamlessly with the basic unit and holds the CV-5000 power supply, providing easy access to print-outs. If no CV-5000 is used, the bracket can be used for additional storage space.



Slit Lamp power supply

The slit lamp generic power supply (PS-100) can be used to power slit lamps that have no dedicated power supply of their own. This generic power supply can be mounted under the tabletop and provides easy access to the slit lamp illumination control.



Satellite support

These stable floor stand satellite supports can be placed anywhere around the IS-100 and provide added flexibility to the refraction procedure. The satellite support accommodates the Topcon CV-5000 control unit (KB-50S) and can also be fitted with the mounting bracket to hold its power supply.



Trial lens drawer support

This trial lens drawer is also available as stand-alone furniture. It consists of a floor stand with a trial lens drawer. The trial lens drawer is available in two sizes. The drawers can accommodate different sizes of trial lens set. Additionally, it can be used to hold the Topcon CV-5000 control unit (KB-50S).

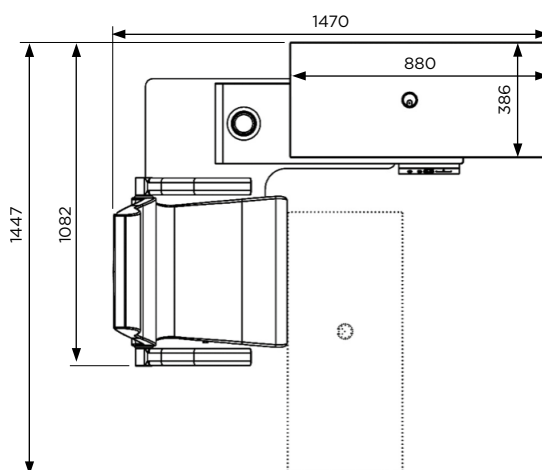
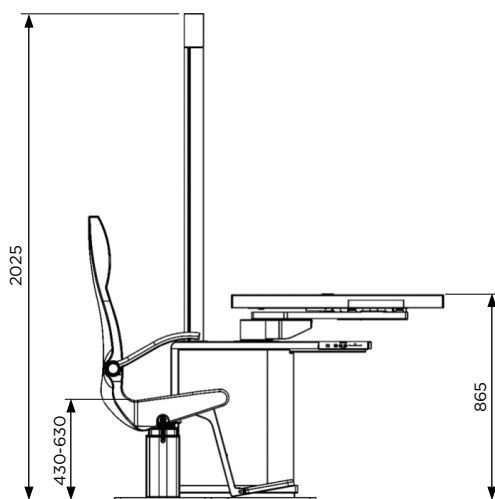
IS-100 Specifications



Accessory tray

A compact accessory tray can be placed on the unit between the column and the tabletop arm. The patient can store their glasses and other personal items in this tray during examination.

General dimensions



Specifications of IS-100

Technical specifications ophthalmic chairs

	OC-8	OC-9
Backrest	Fixed type	180° fully reclinable
Armrest	Foldable	Foldable
Footrest	Optional	Standard
Maximum load	170kg	160kg
Horizontal displacement	No	100mm mechanical
Possibility of additional neckrest	No	No
Maximum height	630mm	680mm
Minimum height	430mm	480mm
Stroke/Range	200mm	200mm
Angle° rotation with manual brake	40°	40°
Maximum power consumption (VA)	110VA	110VA
Electrical classification	Class I, Type B	Class I, Type B
Electrical protection class	IPX6	IPX6
Net weight	30kg	50kg
Overload: thermal protection. Motor stop 3 min. approx. duty cycle 1/9 min.	2 min/18 min is the recommended duty cycle, but the motor does not stop	2 min/18 min is the recommended duty cycle, but the motor does not stop.

Specifications of IS-100

Technical specifications phorofter arms

	VT-670	VT-671
Load capacity change	4.5 - 10kg (adjustable)	4.5 - 10kg (adjustable)
Stroke of phorofter arm	+43° / -15°	+43° / -15°
Maximum horizontal rotation of phorofter arm	Free	Free
Positioning lock	Mechanical	Counterbalanced
Net weight of phorofter arm	6.6kg	6.6kg

Technical specifications IS-100

Unit	IS-100
Power	110 - 240V -/ 50 - 60Hz
Maximum consumption	850VA
Electrical classification	Class I, Type B
Electrical protection class	IP21
Consumption of first tabletop instrument (SL)	110 - 220V / 160VA
Consumption of second tabletop instrument (SL)	110 - 220V / 160VA
Consumption of second tabletop instrument (SL)	0 - 24V
Net weight IS-100	115kg
Maximum load of instruments on the tabletop	20kg +20kg

Safety stopper

The IS-100 has a safety mechanism located under the tabletop that automatically stops the chair elevation if it comes in contact with the patient's leg.

TOPCON CORPORATION

75-1 Hasunuma-cho, Itabashi-ku, Tokyo 174-8580, JAPAN.
Phone: +81-(0)3-3558-2522/2502 Fax: +81-(0)3-3965-6898
www.topconhealthcare.jp



Antoni Carles, S.A.
Carrer de la Volta dels Garrofers 41-42
08340 Vilassar de Mar Spain



TOPCON HEALTHCARE SOLUTIONS EMEA OY

Saaristonkatu 9, 90100 Oulu, FINLAND
Phone: +358-20-734-8190
E-mail: thsema.sales@topcon.com
www.topconhealthcare.eu

TOPCON SCANDINAVIA

Neongatan 2, P.O.Box 25, 43151 Mölndal SWEDEN
Phone: +46-(0)31-7109200
Fax: +46-(0)31-7109249
E-mail: info.hcs.se@topcon.com
www.topconhealthcare.eu/sv_SE

TOPCON FRANCE MEDICAL

1 rue des Vergers, Parc Swen, Bâtiment 2, 69760 Limonest, FRANCE
Phone: +33-(0)4-37 58 19 40
Fax: +33-(0)4-72 23 86 60
E-mail: topconfrance@topcon.com
www.topconhealthcare.eu/fr_FR

TOPCON GREAT BRITAIN MEDICAL

Topcon House, Kennet Side, Bone Lane, Newbury, Berkshire RG14 5PX UNITED KINGDOM
Phone: +44-(0)1635-551120
Fax: +44-(0)1635-551170
E-mail: medical.tgbm@topcon.com
www.topconhealthcare.eu/en_UK

TOPCON EUROPE MEDICAL B.V.

Essebaan 11, 2908 LJ Capelle a/d IJssel P.O. Box 145, 2900 AC Capelle a/d IJssel THE NETHERLANDS
Phone: +31-(0)10-4585077
Fax: +31-(0)10-4585045
E-mail: medical@topcon.com
www.topconhealthcare.eu

TOPCON ESPAÑA

Oficina Principal en España Frederic Mompou, 4, 08960 Sant Just Desvern, Barcelona, SPAIN
Phone: +34-93-4734057
Fax: +34-93-4733932
E-mail: medica@topcon.com
www.topconhealthcare.eu/es_ES

TOPCON DEUTSCHLAND MEDICAL

Hanns-Martin-Schleyer Strasse 41, D-47877 Willich, GERMANY
Phone: (+49)2154-885-0
Fax: (+49)2154-885-177
E-mail: info@topcon-medical.de
www.topconhealthcare.eu/de_DE

TOPCON IRELAND MEDICAL

Unit 292, Block G, Blanchardstown, Corporate Park 2 Ballycoolin Dublin 15, D15 DX58, IRELAND
Phone: +353-12233280
E-mail: medical.ie@topcon.com
www.topconhealthcare.eu/en_IE

TOPCON DANMARK

Praestemarksvej 25, 4000 Roskilde DANMARK
Phone: +45-46-327500
Fax: +45-46-327555
E-mail: info.todk@topcon.com
www.topconhealthcare.eu/dk_DK

TOPCON ITALY

Viale dell'Industria 60, 20037 Paderno Dugnano, (MI) ITALY
Phone: +39-02-9186671
E-mail: info_tit@topcon.com
www.topconhealthcare.eu/it_IT

TOPCON POLSKA SP. Z. O. O.

ul. Warszawska 23, 42-470 Siewierz POLAND
Phone: +48-(0)32-670-50-45
Fax: +48-(0)32-671-34-05
E-mail: info.tpl@topcon.com
www.topconhealthcare.eu/pl_PL

IMPORTANT In order to obtain the best results with this instrument, please be sure to review all user instructions prior to operation.

Not all products, services or offers are approved or offered in every market, and products vary from one country to another. Contact your local distributor for country-specific information and availability.

©Topcon Corporation | M000078E-2 | This product is in conformity with Regulation EU 2017/745 on medical devices (MDR).