

Ophthalmic unit

IS-600 III



HIGH QUALITY & ERGONOMIC DESIGN



IS-600 III

The Topcon IS-600 III has been developed as a refraction unit without compromise. The unit is a comfortable and stable workstation to accommodate two instruments which can be adapted to various kinds of examination rooms. The IS-600 III can be fitted with several optional accessories such as; two different types of phoropter arms, OC-6 footrest, extra drawers, tabletop electro brake and a LED reading light. The integrated control panel allows the user to control the elevation of the chair, the room illumination light and installed instruments.

- » Small footprint
- » Powered elevation of tabletop
- » Adjustable positioning of tabletop with electro-brake (optional)
- » Various options such as LED reading light
- » Dimming of room light feature
- » Integrated cable management system
- » Wheelchair accessibility

IS-600 III CONFIGURATIONS

The IS-600 III comes in a wide variety of configurations. For both IS-600 III basic and IS-600 III wheelchair version there is a right and left option available. In all these configurations the IS-600 III can be equipped with a fixed table height or a powered elevating table top for easy adjustments of the instrument heights for both patient and practitioner.

Another option is a set of two drawers which can incorporate a power supply for the Topcon CV-5000 phoropter.



IS-600 III right version with Power supply drawer



IS-600 III right wheelchair version

Available colours

IS-600III comes in 2 different colours which both match perfectly with instrument colours. Metal parts of IS-600III ophthalmic unit are painted in aluminium colour, emphasising the modern and smooth design of the unit.



IS-600 III finishing in Light Blue



IS-600 III finishing in White

Unit: white

Unit: Light Blue

IS-600 III STANDARD ACCESSORIES



Trial lens drawer & control panel

The IS-600 III trial lens drawer accommodates the units control panel which has various functions.

- Chair elevation & descend, as well as automatic descend to it's lowest position.
- Tabletop elevation and descend (only IS-600III with elevated tabletop)
- Reading light
- Dimming of room illumination
- Chart projector
- 2 Auxiliary instruments
- Dimming of slitlamp / ophthalmometer



Room illumination

The dimmable up-lighter illuminates the room indirectly and can be dimmed.

Projector support

The dedicated IS-600 III projector support allows mounting of Topcon chart projectors.



Safety-stop

The safety-stop guarantees patients safety when operating the elevation of tabletop or chair.

Chinrest support

The IS-600 III tabletop is equipped with a tabletop fixed chinrest support, but can be changed with an optional sliding chinrest support, in case you want to operate two instruments with the same chinrest.

Cable management

The cable management system keeps the IS-600 III design smooth and contemporary. All cables of instruments installed on the tabletop can invisibly be guided through the tabletop cable management system.

IS-600 III OPTIONAL ACCESSORIES



Power supply drawer

The optional drawer unit fits seamlessly to the basic unit and provides with two drawers with storage space for hand held equipment and documents. The top drawer panel can be exchanged to allow installation of the Topcon CV-5000 Power Supply.



LED near vision lamp

The adjustable LED reading lamp provides crisp white illumination which supports reading examinations.



Potentiometer

The optional potentiometer situated on the tabletop can be used for regulating illumination of any instrument which does not have illumination dimming on board.



Control satellite support

This control satellite support can accommodate the control unit of the CV-5000 such as the KB-50S. The rotatable tabletop allows the user to have the greatest flexibility.

Electronic Brake for tabletop

The IS-600 III can be equipped with the optional electro-brake. This electro-brake will see to it that with the use of a foot switch the tabletop rotation can be locked in any position of your choice.

IS-600 III OPTIONAL PHOROPTER ARM

VT-670 Phoropter arm

The VT-670 phoropter arm enables mounting of most available phoropter heads. The mechanical lock ensures fixed positioning of the phoropter in front of the patient



VT-671 Phoropter arm

The VT-671 phoropter arm is provided with a handle for easy manoeuvring of the phoropter. A spring loaded counter balance ensures stable positioning of the phoropter.



Optional accessories VT-670/671

For VT-670/671 a dedicated wall mount in respective VT colour is available.



VT-72 manual linear phoropter arm

The VT-72 is a linear phoropter arm which is specially designed to accommodate the CV-5000 computerized phoropter. The handle ensures a firm grip to control the movement. The optional cable management kit provides a clean installation.



VT-74 Electrical linear phoropter arm

The VT-74 has the specifications of the VT-72 however this arm is electrically driven by using a footswitch.



Phoropter arms	VT-670	VT-671	VT-72	VT-74
Load capacity range	4.5 to 10 Kg (adjustable)			
Stroke of phoropter arm	+ 43° / - 15°			
Maximum horizontal rotation of phoropter arm	Free			
Positioning lock	Mechanical	Counterbalanced		
Net weight of phoropter arm	6.6 Kg	6.6 Kg	9 Kg	11 Kg
Linear movement			Manual	Electrical
Cable management kit			Optional	Standard

OC-6 OPHTHALMIC CHAIR



Blue



Grey



Black (black column)



Red

OC-6 Patient chair

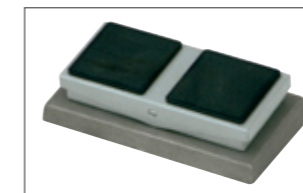
The OC-6 patient chair is designed to provide a comfortable seat for patients during examination. The standard arm rests are foldable and the chair can rotate by 118,5°. An optional footrest is available to enhance patient's comfort. The up-down stroke of the chair has increased in order to allow easy access and usage for patients. The OC-6 is available in four attractive colours, blue, grey, black, and red.



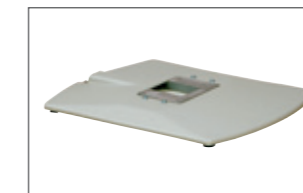
OC-6 Optional accessories



Footrest



Up-down foot switch



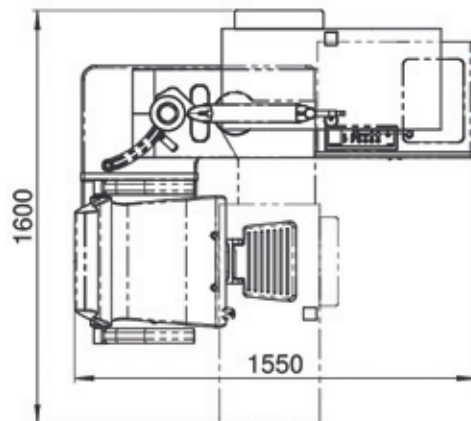
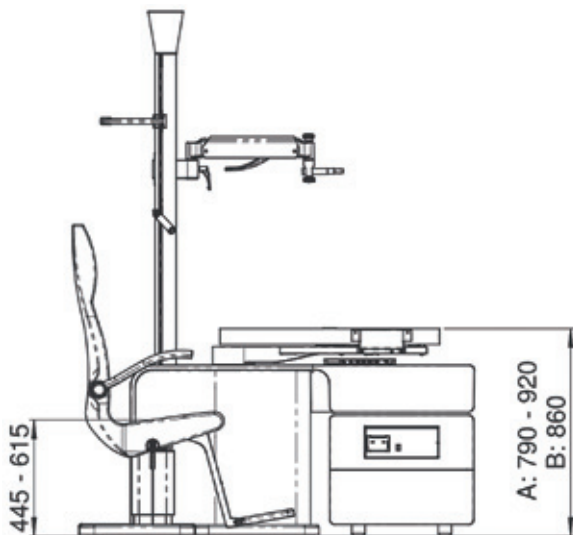
OC-6 base plate available with or without wheels

Optthalmic chair: OC-6	
Arm rest	Foldable
Seat rotation	118,5°
Stroke (measured at seat plane)	Min. 460 / Max. 650 mm
Max. load capacity	175 Kg
Net weight of OC-6	30 Kg
Power Consumption	220v - 240 V AC / 50 - 60 Hz.
Capacity / Consumption	Max. 700 VA

Specifications

Tabletop	Suitable for 2 instruments (with or without elevation available)
Maximum load on tabletop	40 Kg
Power on tabletop	0-12V / 5A or 15V / 5A
Power near vision lamp	3W LED
Power of Room illumination	0-240V / Max. 100W
Safety stop	Safety stop available underneath tabletop
Inside dimension trial lens drawer	460 x 350 x 70 mm
Minimum installation dimensions	1600(w) x 1550(d) x 2012(h) mm
Stroke elevated tabletop	130 mm (790 mm - 920 mm)
Height fixed tabletop	860 mm
Total power supply	220-240V / 50-60 Hz
Maximum power consumption	1.000 W
Electrical classification	Class I, Type B
Electronic soft start system	Yes
Net weight of IS-600 III	192 Kg

IS-600 III Footprint



IMPORTANT

Subject to change in design and/or specifications without advanced notice.
In order to obtain the best results with this instrument, please be sure to review all user instructions prior to operation.

Topcon Europe Medical B.V.
Essebaan 11; 2908 LJ Capelle a/d IJssel; P.O. Box 145;
2900 AC Capelle a/d IJssel; The Netherlands
Phone: +31-(0)10-4585077; Fax: +31-(0)10-4585045
E-mail: medical@topcon.eu; www.topcon-medical.eu

Topcon Danmark
Præstemarksvej 25; 4000 Roskilde, Danmark
Phone: +45-46-327500; Fax: +45-46-327555
E-mail: info@topcondanmark.dk
www.topcondanmark.dk

Topcon Scandinavia A.B.
Neongatan 2; P.O. Box 25; 43151 Mölndal, Sweden
Phone: +46-(0)31-7109200; Fax: +46-(0)31-7109249
E-mail: medical@topcon.se; www.topcon.se

Topcon España S.A.
HEAD OFFICE; Frederic Mompou, 4;
08960 Sant Just Desvern; Barcelona, Spain
Phone: +34-93-4734057; Fax: +34-93-4733932
E-mail: medica@topcon.es; www.topcon.es

Topcon Italy
Viale dell' Industria 60;
20037 Paderno Dugnano, (MI) Italy
Phone: +39-02-9186671; Fax: +39-02-91081091
E-mail: topconitaly@tiscali.it; www.topcon.it

Topcon France
BAT A1; 3 route de la révolte, 93206 Saint Denis Cedex
Phone: +33-(0)1-49212323; Fax: +33-(0)1-49212324
E-mail: topcon@topcon.fr; www.topcon.fr

Topcon Deutschland GmbH
Hanns-Martin-Schleyer Strasse 41;
D-47877 Willich, Germany
Phone: (+49) 2154-885-0; Fax: (+49) 2154-885-177
E-mail: med@topcon.de; www.topcon.de

Topcon Portugal
Rua da Forte, 6-6A, L-0.22; 2790-072
Carnaxide, Portugal
Phone: +351-210-994626; Fax: +351-210-938786
www.topcon.pt

Topcon Polska Sp. z o.o.
ul. Warszawska 23; 42-470 Siewierz; Poland
Phone: +48-(0)32-670-50-45; Fax: +48-(0)32-671-34-05
www.topcon-polska.pl

Topcon (Great Britain) Ltd.
Topcon House; Kennet Side; Bone Lane; Newbury
Berkshire RG14 5PX; United Kingdom
Phone: +44-(0)1635-551120; Fax: +44-(0)1635-551170
E-mail: medical@topcon.co.uk; www.topcon.co.uk

Topcon Ireland
Unit 276, Blanchardstown; Corporate Park 2
Ballycoolin; Dublin 15, Ireland
Phone: +353-18975900; Fax: +353-18293915
E-mail: medical@topcon.ie; www.topcon.ie