

Operation Microscope

OMS-710

NEW



CONNECTING VISIONS

Excellence in image and operability

Operation microscope OMS-710

All round microscope covering both the Anterior and Posterior segment



The OMS-710:
Precise in the observation of fine
detail and simple to operate.

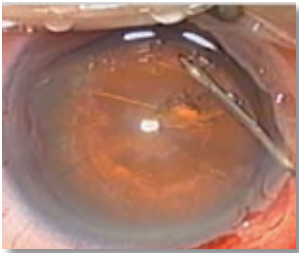
OMS-710 provides:

- Unsurpassed image luminosity with the most natural color and improved Red Reflex.
- Superb optical performance thanks to its apochromatic optical system that affords bright, vivid images even with reduced illumination intensity.
- Protection from phototoxicity with low illumination levels and UV/IR cut filters.

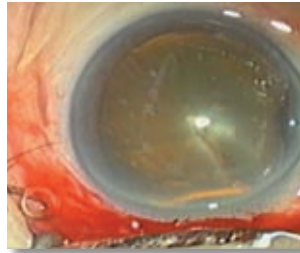
Improved Red Reflex and Shadow Contrast

The newly designed optics and illumination system offer unsurpassed Red Reflex quality.

With combined 2° and 4° illumination, contrast is more natural and the new color temperature in the illumination system, allows a softer and more detailed view.



Red reflex with
Color temperature filter



View without
Color temperature filter



Illumination Shutter

The OMS-710 incorporates Illumination Shutter on 4° illumination. Preferable shutter position can be set to enhance Red Reflex.

Features

Main Microscope Binoculars

Two types of binoculars are available for the OMS-710:

1. A 45° fixed set of binoculars
2. A variable inclination set of binoculars; adjustable from 45° to 90°, providing a more comfortable observation image

Compact Body

The OMS-710's compact base and longer arms allow easy mobility and storage in limited space.

XY Translator

The precise and smooth movement of the X/Y translator provides the surgeon with control and ease of use. The centering button lights up when zoom, focusing mechanism and X/Y movement are set to the initial position.

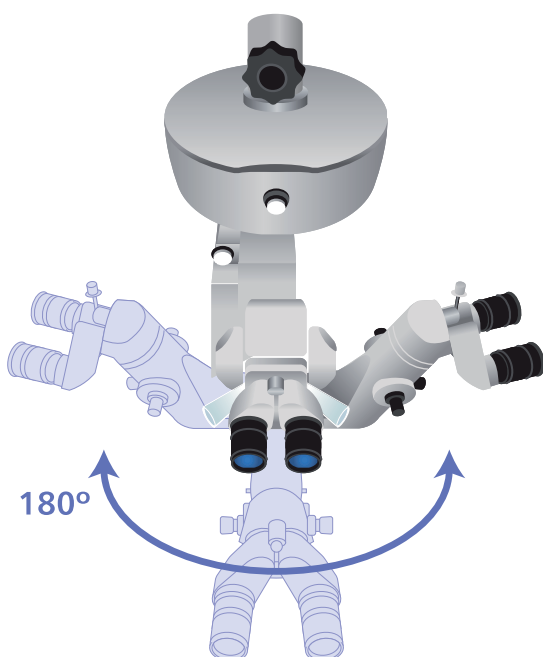


Touch Panel LCD Monitor

A sophisticated touch-screen LCD monitor allows for a quick and easy change of settings and programs.



Optional Accessories



Rotating Assistant Microscope

The Assistant Microscope easily swings from one side to the other, pivoting comfort, flexibility and convenience.

Compact TV Relay Lens

The compact TV Relay Lens allows to connect 1/2 inch and 1/3 inch CCD cameras either with a C-mount or Sony-2 mount blocking or interfering with the Assistant's microscope movement. When a CCD camera is mounted on the OMS-710, there is no interference with any functionality.

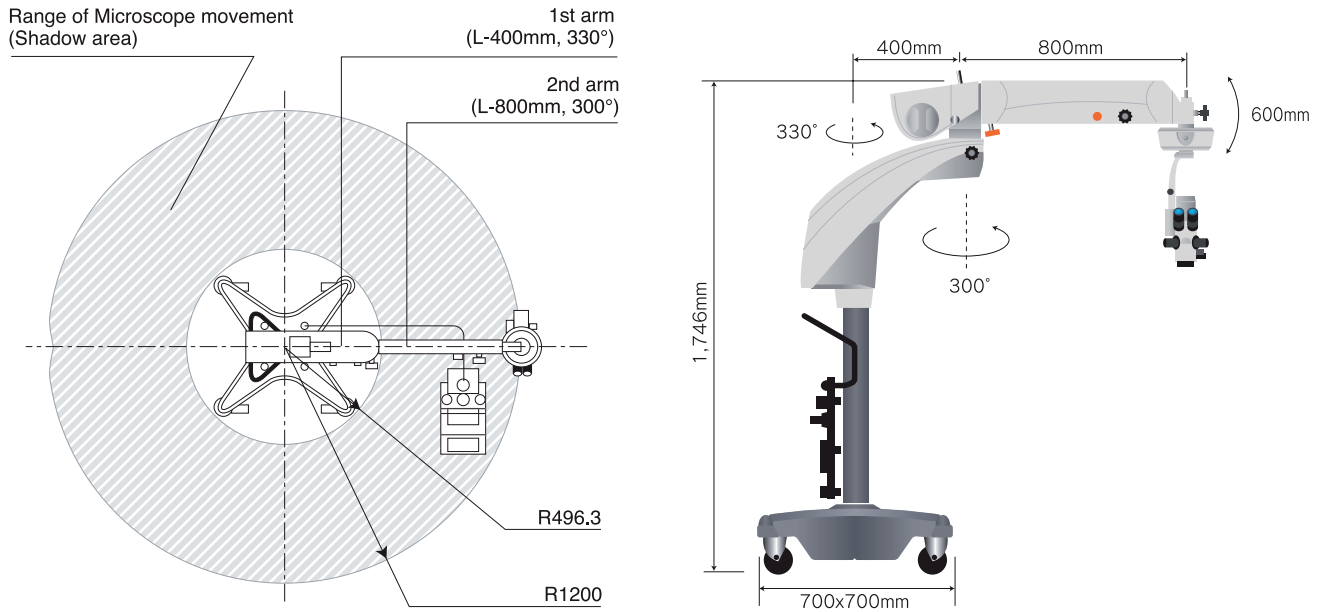
Coaxial Binocular Observation Tube

The coaxial binocular tube provides the same view as the observation tube of the surgeon. This is useful for education and teaching purposes. Easy to position and simple to adjust, the observation height is identical to the surgeon's.

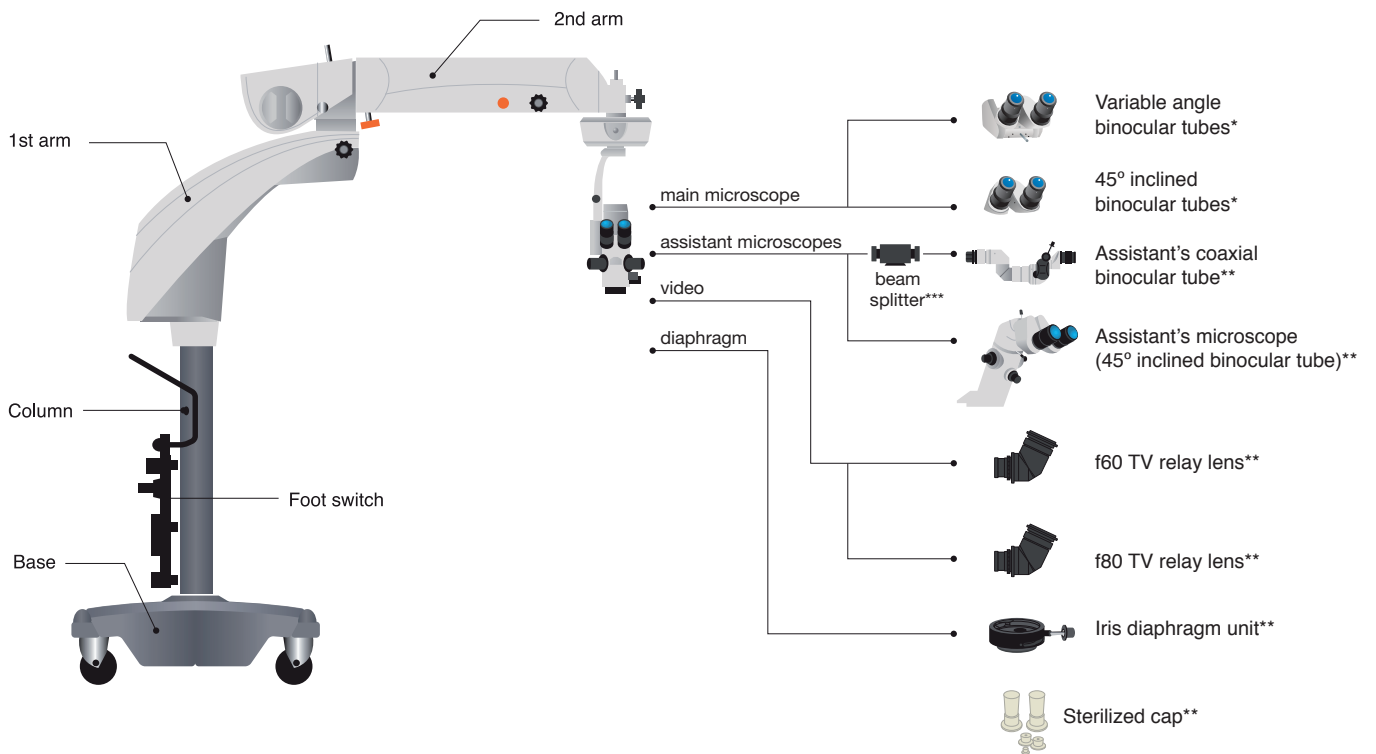
Diaphragm Changer

The flip-in diaphragm provides a wider focusing range. Two steps of diaphragm are available.

Dimensions



System Chart



* To be selected at purchase

** Optional accessories

*** Included with variable angle binocular type as standard

Specifications

Eyepiece	12.5x
Objective Lens	f=200 mm
Magnification Selection	Continuous zoom
Magnification Indication	4.2/5/6/7/8/9/10/11/13/15/17/19/21
Total Magnification	4.2-21x
1st Arm Length / Rotation	400mm / 330°
2nd Arm Length / Rotation	800mm / 300°
Arm Load	9.5-16.0 kg
Accessory Capacity	5.5 kg
Power Voltage	AC 100-240V 50/60Hz
Filter	Built-in: Heat-absorbing and UV cut filters Flip-in/out: Yellow and Color temperature conversion filters
Size	Base: 700 x 700 mm 1,746 mm
Weight	45° Inclined Binocular Type: 184Kg Angle Binocular Type: 185Kg



IMPORTANT

Subject to change in design and/or specifications without advanced notice.

In order to obtain the best results with this instrument, please be sure to review all user instructions prior to operation.

Topcon Europe Medical B.V.

Essebaan 11; 2908 LJ Capelle a/d IJssel; P.O. Box 145;
2900 AC Capelle a/d IJssel; The Netherlands
Phone: +31-(0)10-4585077; Fax: +31-(0)10-4585045
E-mail: medical@topcon.nl; www.topcon.eu

Topcon Danmark

Praestemarksvej 25; 4000 Roskilde, Danmark
Phone: +45-46-327500; Fax: +45-46-327555
E-mail: topcon@topcondanmark.dk
www.topcondanmark.dk

Topcon Scandinavia A.B.

Neogatan 2; P.O. Box 25; 43151 Mölndal, Sweden
Phone: +46-(0)31-7109200; Fax: +46-(0)31-7109249
E-mail: medical@topcon.se; www.topcon.se

Topcon España S.A.

HEAD OFFICE; Frederic Mompou, 5;
08960 Sant Just Desvern; Barcelona, Spain
Phone: +34-93-4734057; Fax: +34-93-4733932
E-mail: medica@topcon.es; www.topcon.es

Topcon Italy

Viale dell' Industria 60;
20037 PADERNO DUGNANO; (MI) ITALY
Phone: +39-02-9186671; Fax: +39-02-91081091
E-mail: topconitaly@tiscali.it; www.topcon.it

Topcon Deutschland GmbH

Giesslerallee 31; D-47877 Willich, Germany
Phone: +49-(0)2154-8850; Fax: +49-(0)2154-885177
E-mail: info@topcon.de; www.topcon.de

Topcon (Great Britain) Ltd.

Topcon House; Kennet Side; Bone Lane; Newbury
Berkshire RG14 5PX; United Kingdom
Phone: +44-(0)1635-551120; Fax: +44-(0)1635-551170
E-mail: info@topcon.co.uk; www.topcon.co.uk

Topcon Ireland

Unit 276, Blanchardstown, Corporate Park 2
Ballycoolin; Dublin 15
Phone: +353-18975900; Fax: +353-18293915
Email: medical@topcon.ie; www.topcon.ie

Topcon S.A.R.L.

HEAD OFFICE; 89, rue de Paris; 92585 Clichy, France
Phone: +33-(0)1-41069494; Fax: +33-(0)1-47390251
E-mail: topcon@topcon.fr; www.topcon.fr

Topcon Portugal

Rua da Forte, 6-6A, L-0.22; 2790-072
Carnaxide; Portugal
Phone: +351-210-994626 Fax: +351-210-938786
www.topcon.pt

Topcon Polska Sp. z o.o.

ul. Warszawska 23; 42-470 Siewierz; Poland
Phone: +48-(0)32-670-50-45; Fax: +48-(0)32-671-34-05
www.topcon-polska.pl

