

Lensmeter LM-8/8C



CONNECTING VISIONS

High resolution optics, and sharper target Image

Easy verification of cylindrical axis

LM-8/8C

Why is it so easy to measure lenses with a low range cylindrical power using the LM-8 series? The answer is the technological harmony of high magnification optics and excellent wide field eyepiece. Topcon is the only one manufacturer that can offer this century optical technology in the new generation telescopic lensmeter.



Two types of target at your choice

Two types of target are available for your preference; Topcon's original cross line target, and conventional corona target.

- ***Topcon's original cross line target**

It's new combination of corona and cross line target creates you the sharpest image that you have ever seen. The central square spots gives extremely fine verification of cylindrical axis line.

- ***Corona target**

Simple but well proven and widely accepted, the corona target also offers superb results.

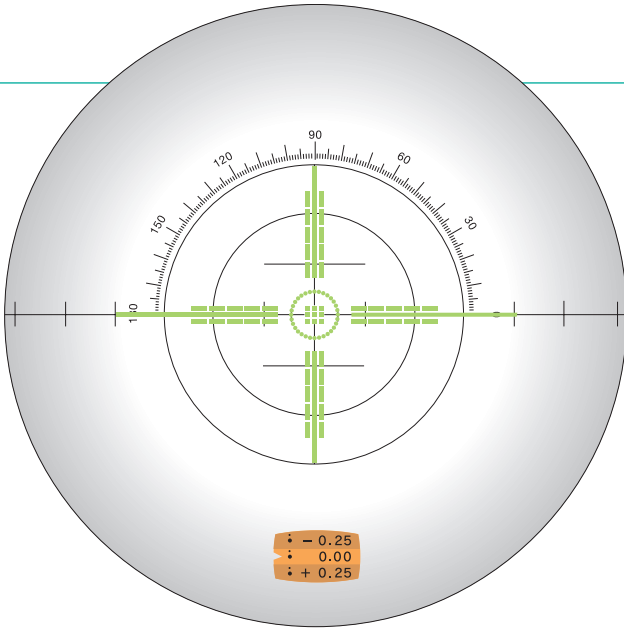
High and wide field eyepoint eyepiece

The newly designed eyepiece minimises shading effect. Thanks to easy conformation of internal scale and target observation as well as irritation free measurement.

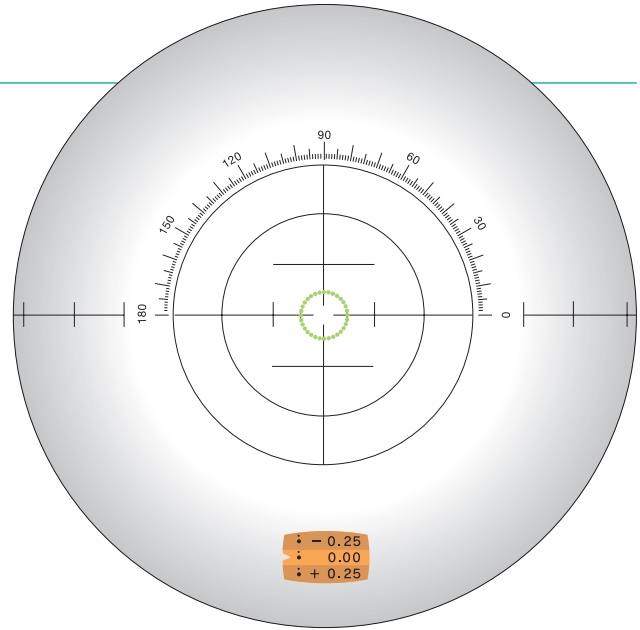


Clear visualization of spotting mark

The new optics of the LM-8 allows easy reading.



TOPCON's Original Cross Line Target (LM-8)



Corona Target (LM-8C)

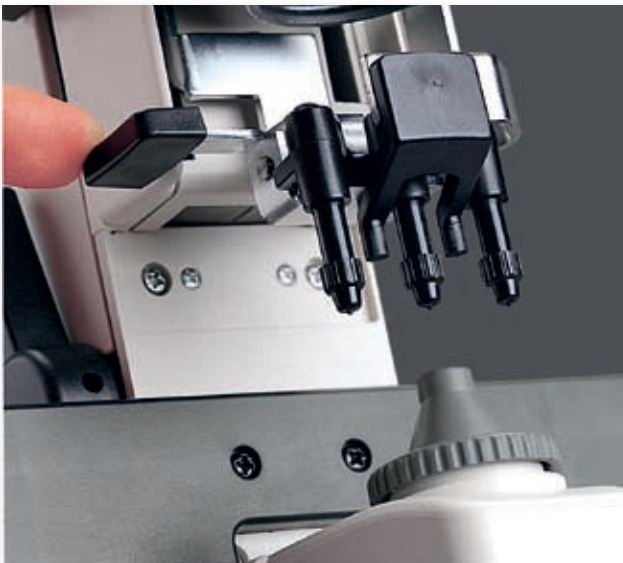
Clearly visible marking spots

A newly designed long life cartridge type spotting device marks marking easier and clearer. This ball-point pen style cartridge provides sharp and clear marks on the lens to make final blocking procedure simple. Replacing the cartridge is very easy and clean.

*Conventional inkpad system is still available as an option.

Dry battery operated LED light

Almost eternal life LED light source eliminates the need of bulb replacement. The modern and stylish wireless design means flexibility in fitting the LM-8 into any environment you desire without having to install additional power outlets. AC adapter is also available as an optional accessory.



Coventional Marking



LM-8 series



Contact lens measurement

The telescope can be set to 90 degree up position with very stable base, for soft and hard contact lens measurement.



Prism compensator

An optional prism compensator is also available to measure the prismatic lens from 5 prism diopter to 14 prism diopter in 1 diopter step.

Specifications

	LM-8	LM-8C
Target	Topcon's Original Cross Line Target	Corona Target
Scale Reading	Internal	
Vertex Power Scale	0 to \pm 25 diopters	
Vertex Power Scale Graduation	0.125D up to \pm 5 D / 0.25D above \pm 5	
Prism Diopter Scale	0 to 6 prism diopters 1 Δ graduations	
Eyepiece Adjustment	+3 to -5 diopters	
Lens Diameter	24 mm to 90 mm in diameter	
Tilt Angle	0 to 90 degree, freely adjustable	
Light Source	LED 570 nm	
Dimensions	160 (W) x 420 (D) x 310 (H)mm	
Weight	approx. 4.0 kg	
Power Source	Battery operated (1.5V sizeD x2) Auto shut off 5 min.	

Optional Accessories

- Prism Compensator
- AC Adapter
- Traditional Ink Pad



* Subject to change in design and/or specifications without advanced notice.

IMPORTANT In order to obtain the best results with this instrument, please be sure to review all user instructions prior to operation.

Topcon Europe Medical B.V.
Essebaan 11; 2908 LJ Capelle a/d IJssel; P.O. Box 145;
2900 AC Capelle a/d IJssel; The Netherlands
Phone: (+31) 10 4585077; Fax: (+31) 10 4585045
E-mail: medical@topcon.nl; www.topcon.eu

Topcon Deutschland GmbH
Giesserallee 31; D-47877 Willich, Germany
Phone: (+49) 2154 885 0; Fax: (+49) 2154 885 177
E-mail: info@topcon.de; www.topcon.de

Topcon Scandinavia A.B.
Neongatan 2; P.O. Box 25; 43151 Mölndal, Sweden
Phone: (+46) 31 7109200; Fax: (+46) 31 7109249
E-mail: medical@topcon.se; www.topcon.se

Topcon Danmark
Praestemarksvej 25; 4000 Roskilde, Danmark
Phone: (+45) 46 327500; Fax: (+45) 46 327555
E-mail: info@topcondanmark.dk
www.topcondanmark.dk

Topcon España S.A.
HEAD OFFICE; Frederic Mompou, 5; 08960 Sant Just
Desvern; Barcelona, Spain
Phone: (+34) 93 4734057; Fax: (+34) 93 4191532
E-mail: medica@topcon.es; www.topcon.es

Topcon S.A.R.L.
HEAD OFFICE; 89, rue de Paris; 92585 Clichy, France
Phone: (+33) 1 41069494; Fax: (+33) 1 47390251
E-mail: topcon@topcon.fr; www.topcon.fr

Topcon Italy
Viale dell' Industria 60; 20037 PADERNO DUGNANO;
(MI) ITALY
Phone: (+39) 02 9186671; Fax: (+39) 02 91081091
E-mail: topconitaly@tiscali.it; www.topcon.it

Topcon (Great Britain) Ltd.
Topcon House; Kennet Side; Bone Lane; Newbury
Berkshire RG14 5PX; United Kingdom
Phone: (+44) 1635 551120; Fax: (+44) 1635 551170
E-mail: info@topcon.co.uk; www.topcon.co.uk

Topcon Ireland
Unit 69, Western Parkway; Business Centre
Lower Ballymount Road; Dublin 12
Phone: (+353) 1460 0021; Fax: (+353) 1460 0129
E-mail: topcon@indigo.ie